



Telescopic  
Sliding door operator

**DORMA**

**ES 200 T *Easy***

**ES 200 T**

**ES 200 T-2D**

## Large passage capacity with a small but powerful operator.

### Outstanding solutions for tight spaces.

ES 200 T automatic telescopic sliding door operators create a large clear passage width despite a relatively narrow door set. But the reasons for their extensive applicability do not stop there. In the 2D version, they come with a redundant drive system, auxiliary safety control and special radar motion detector. They are thus supplied TÜV type-approved as “automatic sliding doors without break-out, approved for use in emergency exits and escape routes” for opening widths up to 4000 mm.

### The modular system

The modular design of the ES 200 T provides an ideal basis for the implementation of new ideas and individual concepts in the design and construction of sliding door systems.

The identical mechanical components can be used in all three versions of the operator (ES 200 *Easy*, ES 200 T and ES 200 T-2D).

DORMA has also opened up a new dimension with its control system. Now there is no longer any need to replace components when you want to expand the functionality of your system. In future, “docking” will be the order of the day. The modular control system comprises of the basic control module (BM) and the function module (FM). Consequently, upgrading in accordance with individual customer requirements can be carried out without problem.

Particularly impressive is the prefabricated **MiniDriveUnit**, industrially tested and equipped with all the necessary electrical and electronic components.

### Commissioning with a PDA

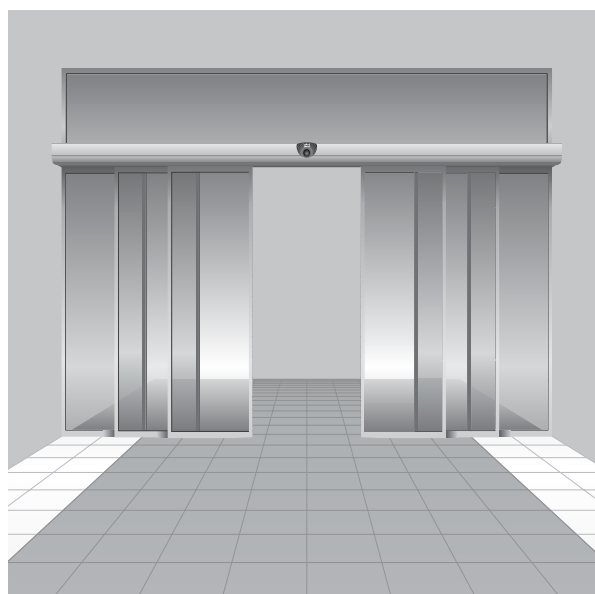
Commissioning and the setting of all the standard parameters can be performed quickly and easily via an integrated display and using keys provided on the front panel of the control unit. For extra convenience, you can also program the system using the DORMA ASP software loaded on a PDA Organizer.

### Integrated power

With its extra-powerful motor and a dynamic acceleration/ deceleration (operating curve) control capability, the integrated **PowerDrive** system ensures safe and reliable operation. And it can readily cope with sliding door weights of up to 4 x 75 kg per door panel.


### Exceptional cost-efficiency

With the ES 200 T, DORMA offers a drive system of modular design capable of covering every application on the basis of just a few components. The system offers easy assembly and installation, reduced storage and stocking costs, and simple maintenance for enhanced operational cost efficiency.



### Features and advantages at a glance:

- Modular, flexible system
- With DORMA **PowerDrive**: Dynamically controlled acceleration and deceleration curves for particularly powerful operation – and with emergency power backup in the form of a rechargeable battery pack
- Industrially prefabricated and tested **MiniDriveUnit**
- Modular control system upgradeable with additional functional modules
- Integrated DCW (DORMA Connect and Work) bus system for easy integration of DORMA DCW sensors and actuators
- Commissioning via integrated display or optionally with PDA Organizer and ASP software
- Can be combined with all customary door profiles
- Fully comprehensive range of accessories
- Reliable investment due to compliance with all relevant European and German standards

Door parameters	ES 200 T Easy	ES 200 T	ES 200 T-2D
Application in emergency exits and escape routes			
2-panel sliding door – Clear passage width LW – Door panel weight, max.	800 – 2400 mm 2 x 50 kg	800 – 2400 mm 2 x 75 kg	1000 – 2400 mm 2 x 75 kg
4-panel sliding door – Clear passage width LW – Door panel weight, max.	1400 – 4000 mm 4 x 43 kg	1400 – 4000 mm 4 x 75 kg	1400 – 4000 mm 4 x 65 kg

Technical data	
Height	100 and 150 mm
Overall depth	252 mm
Opening and closing force, max. 150 N	●
Opening speed (incremental setting)	10 – 70 cm/s
Closing speed (incremental setting)	10 – 50 cm/s
Hold-open time	0 – 180 sec.
Mains voltage, frequency	230 V, 50/60 Hz
Power supply	250 W
Class of protection	IP 20
Compliant with EU low-voltage directives	●
Manufactured to ISO 9001:2000	●



Servicing and commissioning can be performed quickly and easily via an **integrated display with pushbuttons** on the front panel of the control unit or with a hand-held computer and the DORMA Automatic Service Program (ASP).

Basic module (BM)	
Modular design	●
Microprocessor-controlled function programs – Off – Automatic – Permanent opening – Partial opening – Exit only – Night-bank control	● ● ● ● ● ●
Connections for – electro-mechanical locking – light barriers	● ●
Adjustment of all basic parameters via integrated display and pushbuttons	●
PDA Organizer parameter setting	●
24 V output for external loads	●
Read-out error memory with error codes	●
DCW bus interface	●
Rechargeable battery pack for emergency operation	●

Function module (FM) – optional extra	
Pharmacy control	○
Door status control (triple-mode)	○
Main and secondary closing edge protection	○
Emergency closing function	○
Bell contact	○
Airlock control	○
Synchronising mode	○

Additional equipment	
Electro-mechanical locking (bistabil)	○
Manual release of electro-mechanical locking	○
Light barriers	○
Backup battery pack (emergency opening, emergency closing) (ES 200 T-2D standard)	○
Module for coupling to EIB or LON building control systems*	○

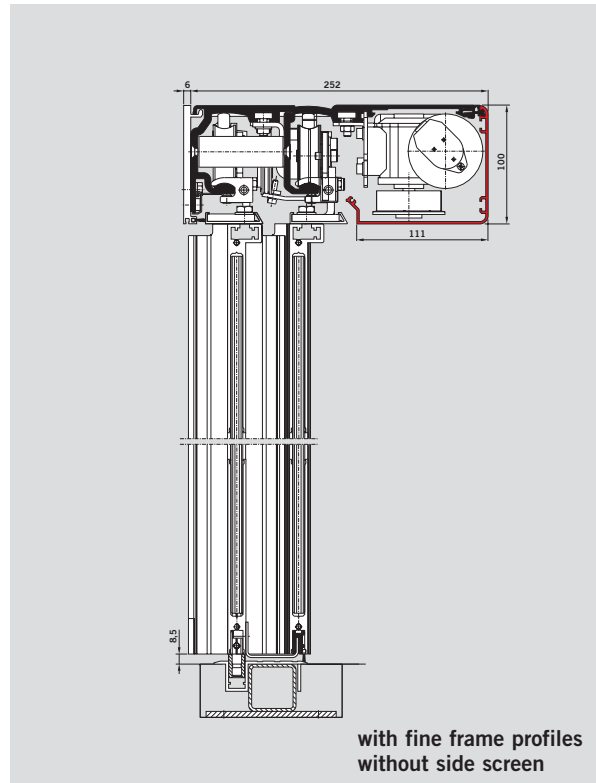
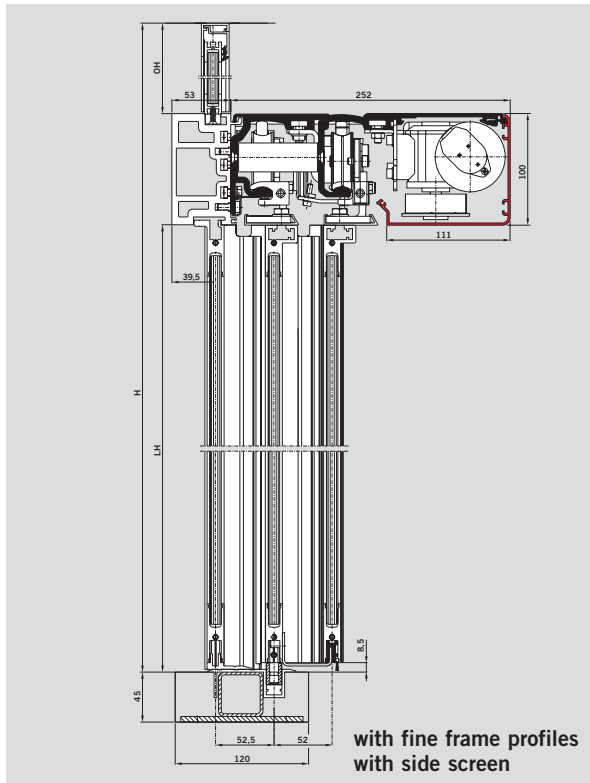
\* Please ask your Sales Consultant for series start date.

● standard      ○ optional

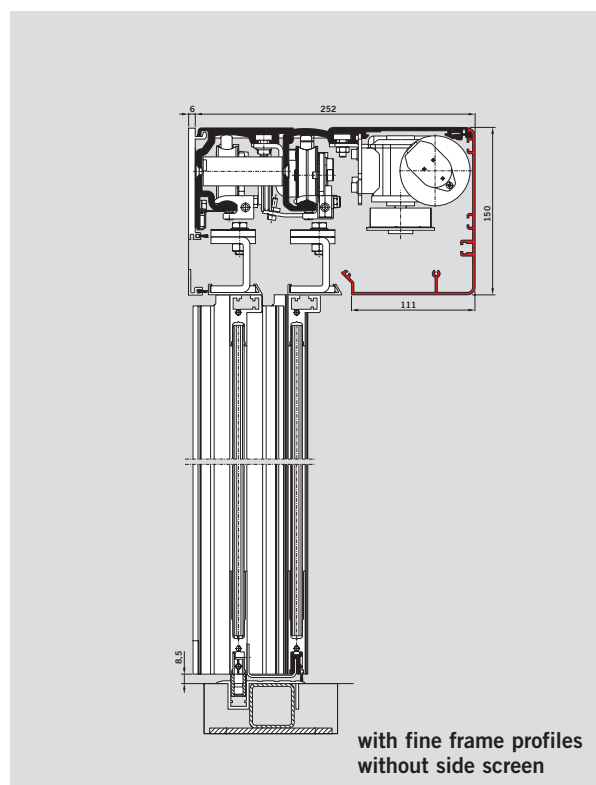
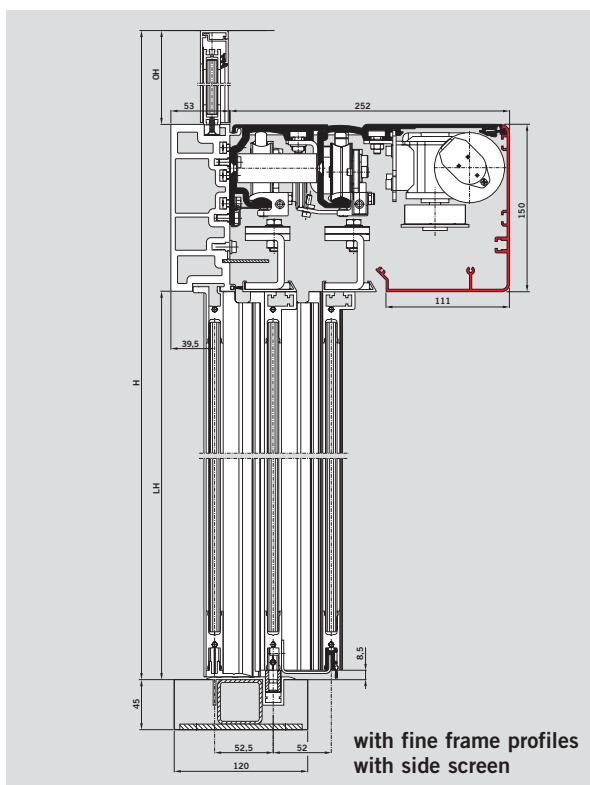
# ES 200 T *Easy*, ES 200 T, ES 200 T-2D – The performance operators for generous passage widths

DORMA  
*PowerDrive* System  
for particularly  
punchy performance

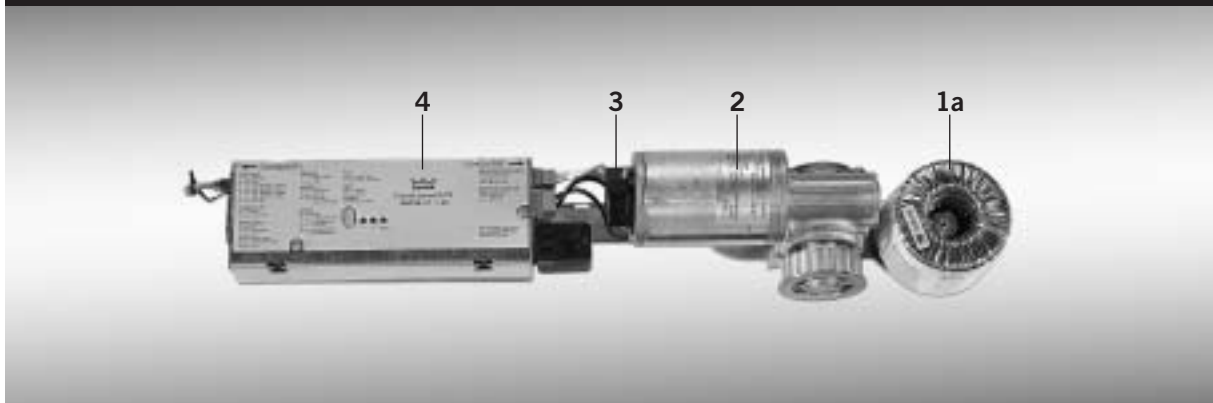
## Door variants, 100 mm overall height



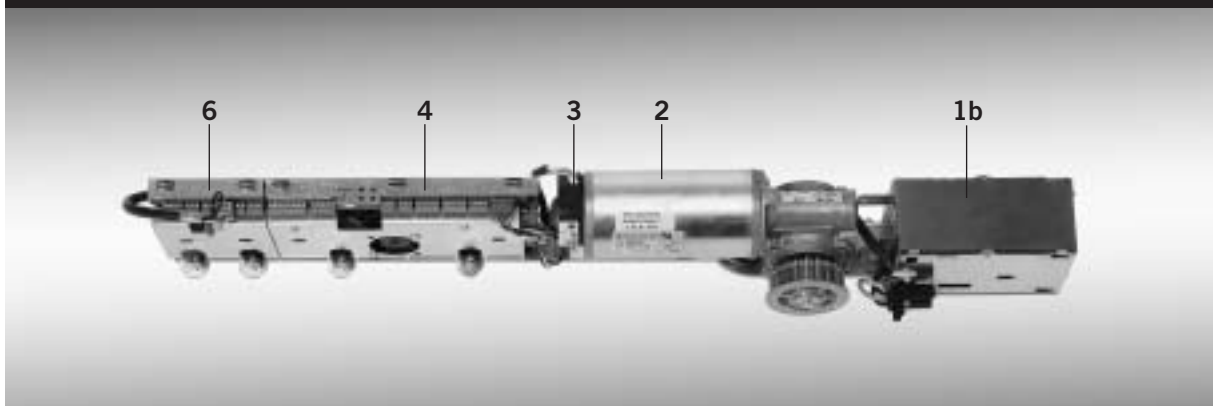
## Door variants, 150 mm overall height



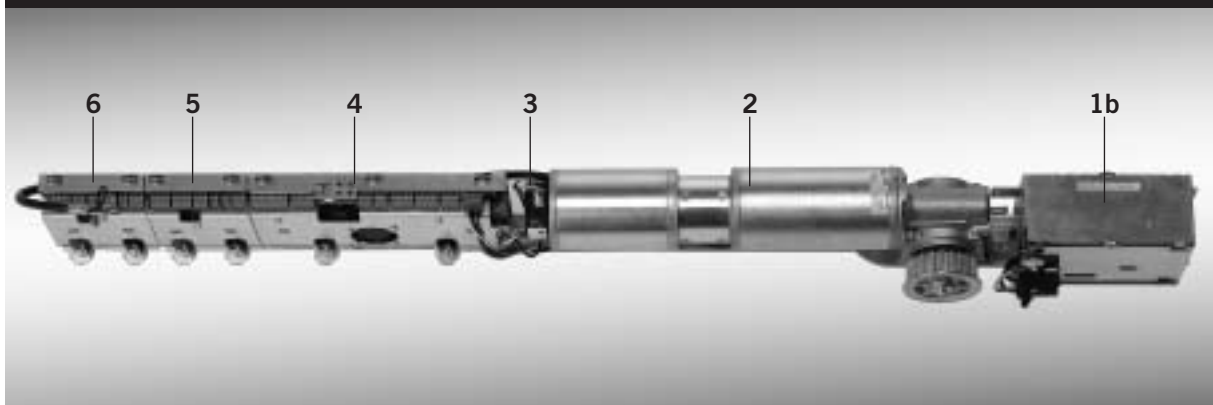
**MiniDriveUnit (MDU) Easy**



**MiniDriveUnit (MDU) Standard**



**MiniDriveUnit (MDU) with DualDrive**



At the heart of the ES 200 T operator is a pre-assembled **MiniDriveUnit** (MDU), which comes in various versions: *Easy/Standard/2D*. It has been industrially tested with all the necessary electrical components and, as a handy single unit, greatly facilitates the installation and maintenance of operator assemblies.

#### Components

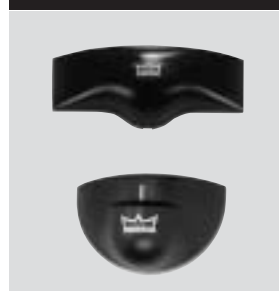
##### **MiniDriveUnit with DualDrive**

- 1a** Transformer
- 1b** Power supply unit
- 2** Motor
- 3** Decoder
- 4** Basic control module (BM)  
*Easy or Standard*
- 5** **DualDrive**-Modul (2D unit)
- 6** Function module (FM)

System accessories



Radar motion detectors



- Directional sensitive – standard version
- Directional non-sensitive
- Radar detector for any combination
- No effect on pacemakers due to the low output, approx. 2 mW

Program switch to select the operating mode of DORMA automatic doors.

- Up to 5 different functions: Off, Automatic, Exit only, Partial opening, Permanent open
- Electronic program switch in System 55 design for the highest aesthetic demands
- Material variants for frames from polished steel, abrasive blasted silk-mat stainless steel, aluminium and brass to glass, ebony or terracotta
- Also lockable by key or electronic code
- For internal or external installation as well as flush- or surface mounted



Program switch EPS-S System 55



Program switch PG-S2



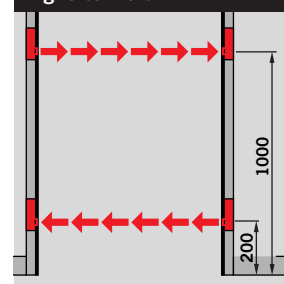
Emergency Pushbutton System 55

Pushbuttons and switches: Electric, pneumatic or radio remote.

- To open and close DORMA automatic doors
- Via key or manually by switch or pushbutton
- For a variety of installation situations: flush or surface mounted or in the door frame

The widely diversified automatic system accessories from DORMA are complemented by further components which are specially matched to various safety measures.

Light barriers



- According to the reflex-light principle
- Additional protection of the sweep range, installation 200 and 1000 mm above floor level



## Automatic Division worldwide

**DORMA GmbH + Co. KG**  
**Breckerfelder Str. 42-48**  
**D-58256 Ennepetal**  
**Phone +49 23 33/793-0**  
**Fax +49 23 33/793-495**

### Region Australia

AUS, NZ  
 Australia  
 DORMA BWN Automatics Pty. Ltd.  
 Phone +61 3 97964111  
 www.dorma.com.au

New Zealand  
 DORMA BWN Automatics Pty. Ltd.  
 Phone +61 3 97964111  
 www.dorma.com.au

### Region Central Europe

D, NL, B, LX, CH  
 Germany  
 Automatic D  
 Phone +49 2333 793-0  
 www.dorma.de

Netherlands  
 DORMA van Duin Nederland BV  
 Phone +31 488 418 100  
 www.dorma.nl

Belgium  
 DORMA foquin N.V./S.A.  
 Phone +32 50 451570  
 www.dorma.be

Luxembourg  
 Luxembourg Subsidiary Automatic  
 Phone +49 2333 793-216  
 www.dorma.de

Switzerland  
 DORMA Schweiz AG  
 Phone +41 71 8864646  
 www.dorma.ch

### Region Emerging Markets

P, RUS, UA, BG, GR, TR, IND, IL, RSA  
 Poland  
 DORMA Polska Sp. z o.o.  
 Phone +48 22 736-59-00  
 www.dorma.pl

Russia  
 Representative Office in Russia  
 Phone +7 095 2581225  
 www.dorma.com

Ukraine  
 DORMA Representation Ukraine  
 Phone +380 44 2443897  
 www.dorma.com

Bulgaria  
 DORMA Bulgaria  
 Phone +359 2 9714 904  
 www.dorma.com

Greece  
 DORMA Representation Greece  
 Phone: +30 21 09944388  
 www.dorma.com

Turkey  
 DORMA Kapi Kontrolleri Ltd. Sti  
 Phone: +90 216 3600056  
 www.dorma.com

India  
 DORMA Door Controls India  
 Phone +91 442 8585097  
 www.dorma.com

Israel  
 DORMA GmbH + Co. KG  
 Phone +49 2333 793-0  
 www.dorma.com

South Africa  
 DORMA Door Controls (Pty.) Ltd  
 Phone +27 11 8300280  
 www.dorma.com

**Region Far East**  
 SGP, HK, VRC, RC, MAL, RI, RP,  
 ROK, VN, J

Singapore  
 DORMA Emerald Entrance Systems  
 Pte Ltd  
 Phone +65 459 5733  
 www.dorma.com.sg

Hong Kong  
 DORMA Door Controls Pte. Ltd.  
 Phone +852 25034632  
 www.dorma.com.sg

China  
 DORMA Door Controls (Suzhou)  
 Co. Ltd.  
 Phone +86 512 676 12481  
 www.dorma.com.sg

Taiwan  
 DORMA Door Controls Pte. Ltd.  
 Phone +886 2 9182987  
 www.dorma.com.sg

Malaysia  
 DORMA Emerald Entrance Systems  
 Pte Ltd  
 Phone +65 459 5733  
 www.dorma.com.sg

Indonesia  
 DORMA Emerald Entrance Systems  
 Pte Ltd  
 Phone +65 459 5733  
 www.dorma.com.sg

South Korea  
 DORMA Emerald Entrance Systems  
 Pte Ltd  
 Phone +65 459 5733  
 www.dorma.com.sg

Philippines  
 DORMA Door Controls Pte. Ltd.  
 Phone +632 893 40778  
 www.dorma.com.sg

Vietnam  
 DORMA Emerald Entrance Systems  
 Pte Ltd  
 Phone +65 459 5733  
 www.dorma.com.sg

Japan  
 DORMA Emerald Entrance Systems  
 Pte Ltd  
 Phone +65 459 5733  
 www.dorma.com.sg

### Region France

F  
 France  
 DORMA Accueil S. A. S.  
 Phone +33 4 79348924  
 www.dorma.fr

### Region Gulf

Saudi Arabia, Bahrain, Kuwait,  
 Egypt, Syria, Jordan, Lebanon, Iran  
 DORMA ARABIA  
 Automatic Doors Ltd.  
 Kingdom of Saudi Arabia  
 Phone +966 3 847 2394  
 www.dorma.com

United Arab Emirates, Oman, Qatar  
 DORMA Middle East LLC  
 Dubai  
 Phone +971 4 282 4424  
 www.dorma.com

### Region North America

USA, CDN, MEX  
 USA  
 DORMA Automatics Inc.  
 Phone +1 301 390-3600  
 www.dorma-usa.com

Canada  
 DORMA Door Controls  
 Phone +1 905 6701281  
 www.dorma.com

Mexico  
 DORMA México, S. de R.L. de C.V.  
 Phone +52 55 5272 6937  
 www.dorma.com

### Region Scanbalt

N, S, DK, FIN, LV, EST, LT

Norway  
 DORMA Norge A/S  
 Phone +47 23 176800  
 www.dorma.no

Sweden  
 DORMA Sverige AB  
 Phone +46 31 289520  
 www.dorma.se

Denmark  
 DORMA Danmark A/S  
 Phone +45 44 943077  
 www.dorma.com

Finland  
 DORMA Finland Oy  
 Phone +358 9 8789130  
 www.dorma.fi

Latvia  
 DORMA Finland Oy  
 Phone +358 9 8789130  
 www.dorma.fi

Estonia  
 DORMA Representation Estonia  
 Phone +372 6707064  
 www.dorma.com

Lithuania  
 DORMA Norge AS  
 Phone +47 23 176800  
 www.dorma.com

### Region South America

BR, RA  
 Brazil  
 DORMA Sistemas de Controles  
 Phone +55 11 41913244  
 www.dorma.com.br

Argentina  
 DORMA Sistemas de  
 Controles para Portas Ltda  
 Phone +54 11 45051032  
 www.dorma.com

### Region South-East Europe

A, H, CZ, CS, HR, SLO, RO  
 Austria  
 DORMA AKS Automatic GmbH  
 Phone +43 6225 8636-0  
 www.dorma.at

Hungary  
 DORMA AKS Automatic GmbH  
 Phone +36 1 2065127 or 2058058  
 www.dorma.com

Czech Republic  
 DORMA dverní technika CR, s.r.o.  
 Phone +420 2 671321-78 or -79  
 www.dorma.com

Slovakia  
 DORMA Slovensko spol. s.r.o.  
 Phone +421 2 50221 283  
 www.dorma.com

Croatia  
 DORMA URED  
 Phone +385 1 3498 422  
 www.dorma.com

Slovenia  
 DORMA Representation Slovenia  
 Phone +386 2 5 30 20 10  
 www.dorma.com

Romania  
 DORMA Representation Romania  
 Phone +40 2 13 30 05 68  
 www.dorma.com

### Region South Europe

I, E, P  
 Italy  
 DORMA Italiana S.r.l.  
 Phone: +39 039 244031  
 www.dorma.it

Spain  
 DORMA Ibérica, S.A.  
 Phone +34 91 8757851  
 www.dorma.es

Portugal  
 DORMA Portugal para Portas, Lda.  
 Phone +351 252 860 490  
 www.dorma.com

### Region UK/Ireland

GB, IRL  
 Great Britain  
 DORMA UK Limited  
 Phone +44 1462 477600  
 www.dorma-uk.co.uk

Ireland  
 DORMA Ireland Limited  
 Phone +353 1 295 8280  
 www.dorma.com

www.dorma.com

Door Control

Automatic

Glass  
 Fittings and  
 Accessories

Security/  
 Time and  
 Access (STA)

Movable  
 Walls