



Swing door operator

DORMA CD 80



red dot
design award
winner 2004

Easy installation, aesthetic design, useful special functions!

The CD 80 from DORMA is a swing door operator that can cover both new and established areas of application. The operator has a modern, prize-winning and unobtrusive design as well as being impressively small. The low height of the unit allows it to be optimally combined with standard profile systems. The standard mounting plate provided minimises the work required for either door leaf or lintel/top jamb fixing. After the plate has been fixed, the operator is simply latched onto it; strenuous and exacting installation work is not required. The low weight of the operator (approx. 8.5 kg including the mounting plate)

enables the CD 80 to be fitted directly on the door leaf without causing excessive hinge strain.

Special functions ensure that the CD 80 has the widest possible range of applications. Push&Go, Power Assist and an extended hold open function all come as standard. The newly developed extended hold open function allows the door to be held open at an individually adjustable opening angle for a defined length of time of either 5 or 10 minutes. This function is particularly well-suited for use during loading and unloading operations or for ventilation purposes.

Optimal cost effectiveness means that the CD 80 can also be used to automate doors where automatic operators were previously outside of budget. The quiet operation of the CD 80 also means that it is ideal for use in noise-sensitive areas (e.g. residential homes, offices and private dwellings).



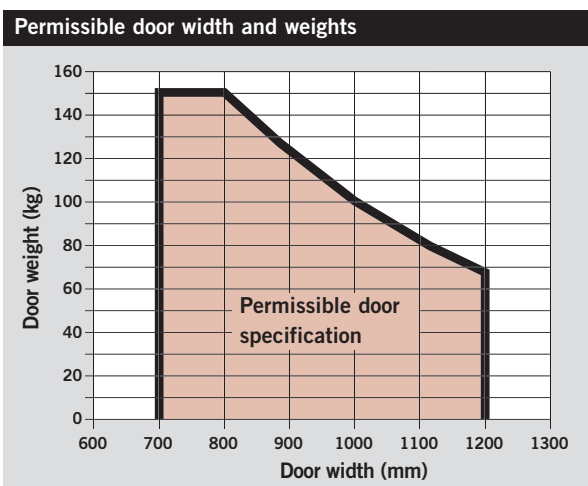
Benefits

- Minimal operator dimensions and weight
- Attractive design
- Quiet operation
- Standard mounting plate for quick and easy installation
- Special functions included as standard
- Great value for money



Applications	
Single-leaf standard doors	
Door leaf width	700 to 1200 mm (depending on door weight, see diagram)
Door leaf weight	Up to 150 kg (depending on door width, see diagram)
Fixing positions	Top jamb fixing on the hinge (pull) side (operator variant G)
	Door leaf fixing on the opposite hinge (push) side (operator variant G)
	Top-jamb fixing on the opposite hinge (push) side (operator variant B)
	Door leaf fixing on the hinge (pull) side (operator variant B)
Frame reveal depth	With slide channel (all fixing options): - 30 mm to 30 mm
	With standard arm* (top jamb fixing on the push side): 30 mm to 200 mm

* The standard arm is only provided for top jamb fixing on the opposite hinge (push) side. Application of the standard arm increases the forces of the door so that manual operation is still possible, but not very comfortable. Where a standard arm is to be installed, DORMA recommends use of an appropriate activator rather than the Push & Go function.



Technical data of the drive unit		
Closing force	sim. to EN 4	
Dimensions	Height	70 mm
	Width/Length	660 mm
	Depth	90 mm
Weight incl. mounting plate	8,5 kg	
Opening angle	At least 100° in any fixing position	
Supply voltage	230 V, 50/60 Hz	
Power supply for external accessories	24 V DC, 600 mA	
Class of protection	IP 20	
TÜV type-approved	●	
Compliant with the Low Voltage Directive and the EMC Directive	●	
Manufactured to ISO 9000	●	

Adjustable parameters of the travel path	
Opening time adjustable	3 s to 6 s
Closing time adjustable	3 s to 10 s, sim. to a door closer
Hold-open time adjustable	0 s to 30 s
Latching action adjustable	●
Wall blanking adjustable	●
Opening angle adjustable	●
Angle for extended hold open function adjustable	●
Delayed opening for locking mechanism adjustable	●

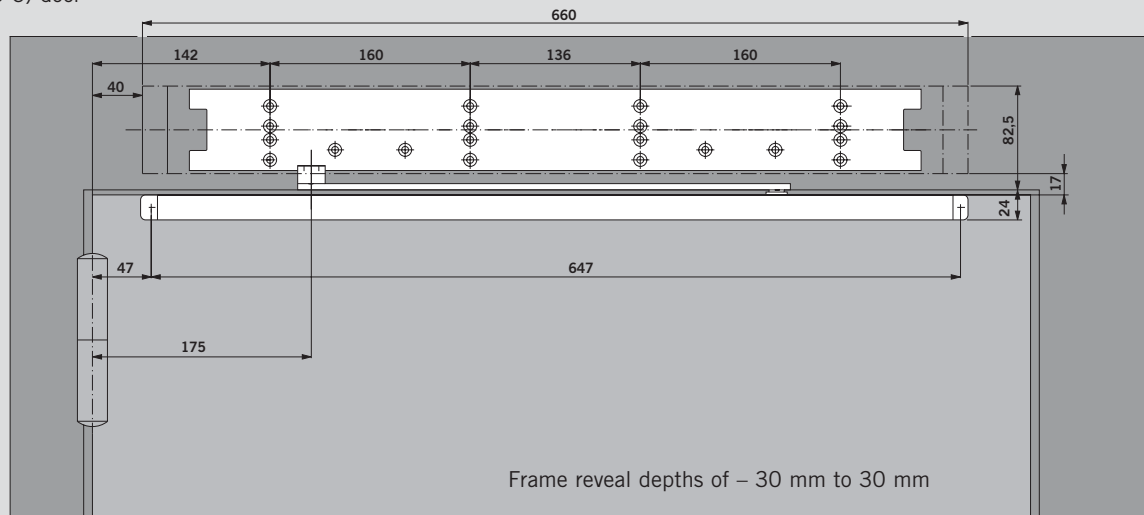
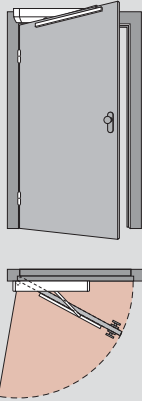
Standard function programs and special functions		
Function programs via the program switch	Off	●
	Automatic	●
	Permanent open	●
Special functions included as standard	Push & Go	●
	Power Assist mode	●
	Extended hold open function	●
	Optional special functions (additional accessories required)	
	Airlock function	○
	Timed airlock function	○
	Flip-flop-function	○
	Night-bank function	○
Door closer function under cut-out conditions		●

Prepared for connection of the following accessories	
Softline slide channel	
Standard arm	
DORMA IRS-2-33/70/90/120 infrared sensors	
Door locking devices	
Electric strikes (fail-safe/fail-secure principle)	
DORMA SVP anti-panic motor lock with automatic locking action	
Access control system	
Activator (pushbutton, radar motion detector, DORMA AutoSwitch ...)	
Radio remote control	
External program switch	
Ratchet type hold-open for Softline slide channel when opening the door manually under cut-out conditions	

● standard ○ optional

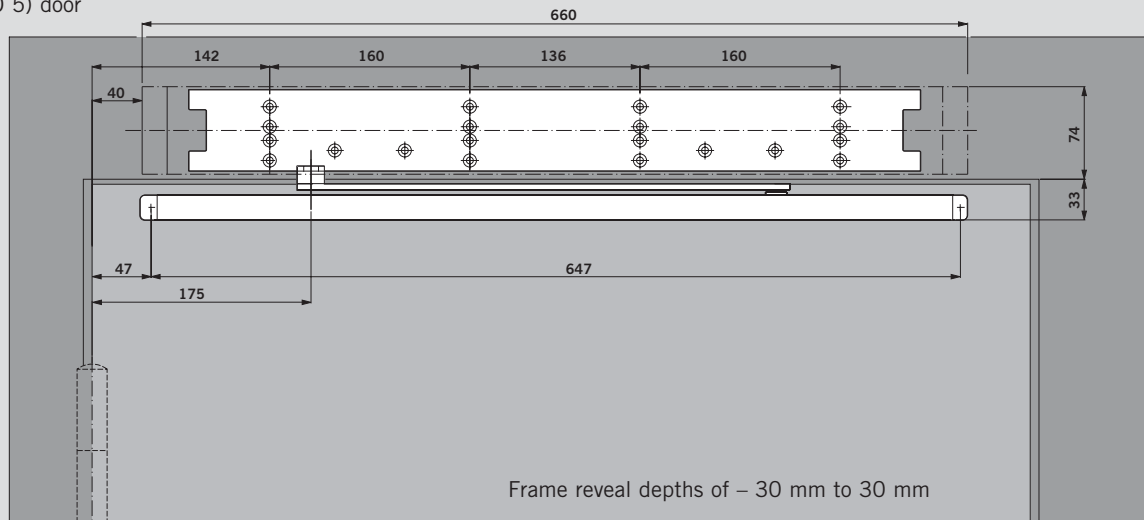
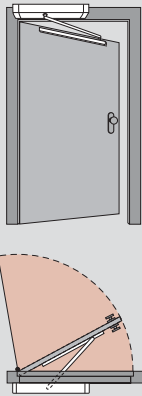
Top jamb fixing on the hinge (pull) side (with slide channel)

LH (ISO 6) and RH (ISO 5) door
 (Example:
 LH (ISO 6) door)



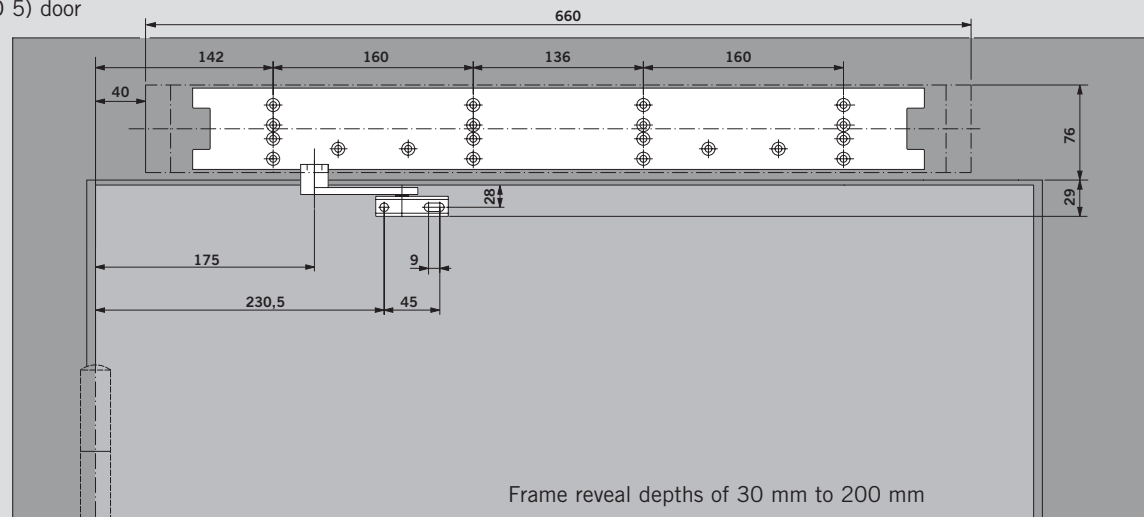
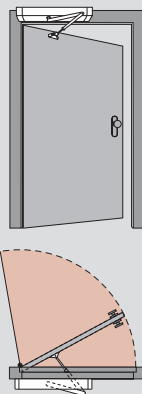
Top jamb fixing on the opposite hinge (push) side (with slide channel)

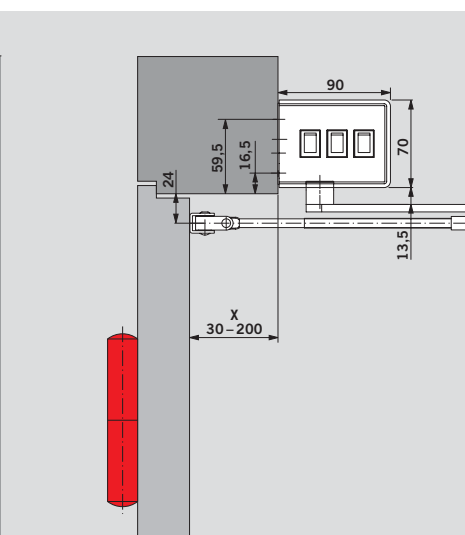
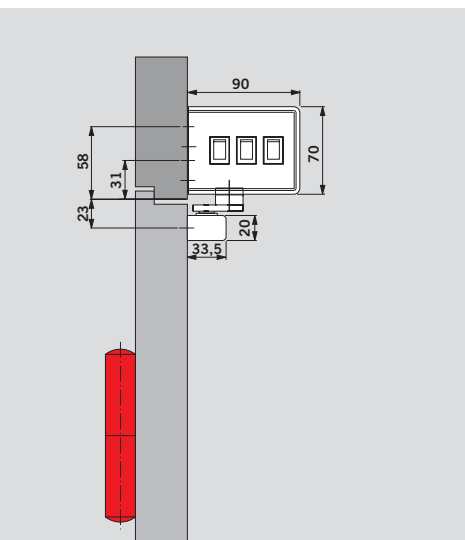
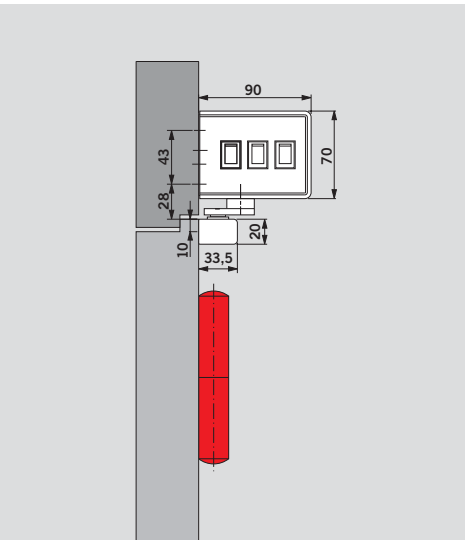
LH (ISO 6) and RH (ISO 5) door
 (Example:
 RH (ISO 5) door)



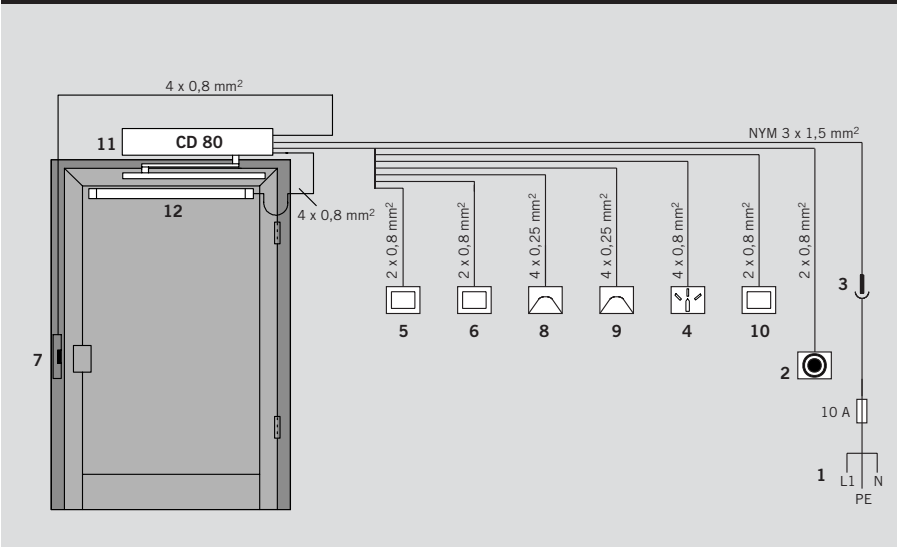
Top jamb fixing on the opposite hinge (push) side (with standard arm)

LH (ISO 6) and RH (ISO 5) door
 (Example:
 RH (ISO 5) door)



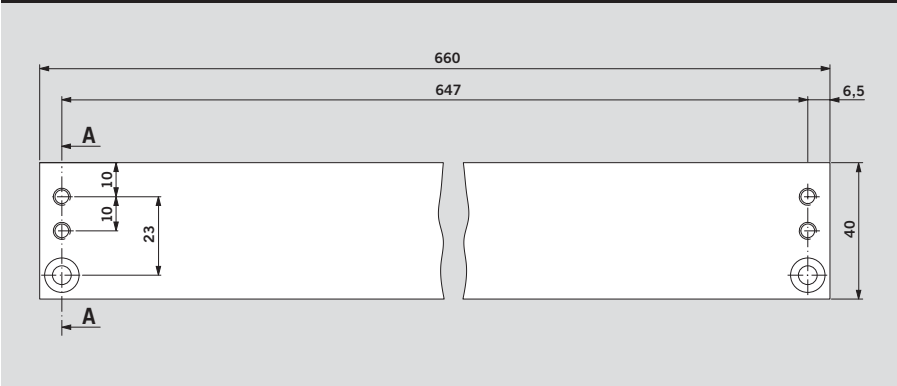


Wiring diagram

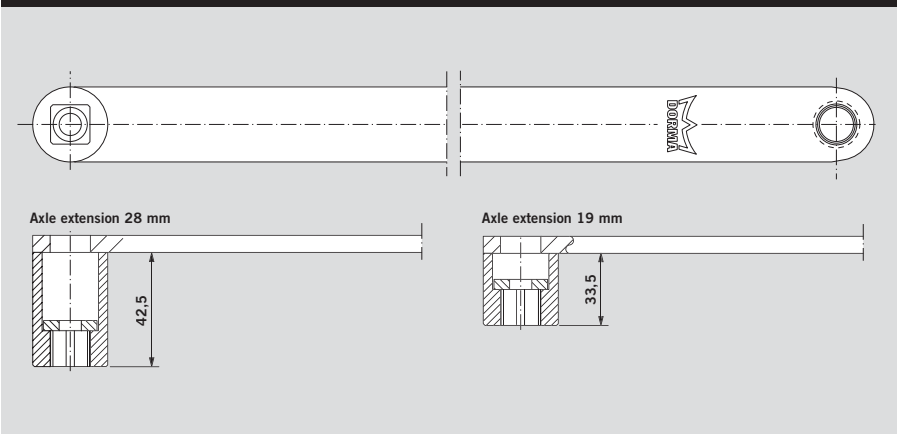


- | | | |
|-----------------------------|------------------------|---|
| 1 Feeder | 6 Pushbutton, external | 10 Extended hold open pushbutton (external) |
| 2 Emergency pushbutton | 7 Electric strike | 11 Swing door operator DORMA CD 80 |
| 3 Two-pole-and-earth socket | 8 Radar, internal | 12 Infrared sensor DORMA IRS-2 |
| 4 Program switch (external) | 9 Radar, external | |
| 5 Pushbutton, internal | | |

Mounting plate for the Softline slide channel CD 80

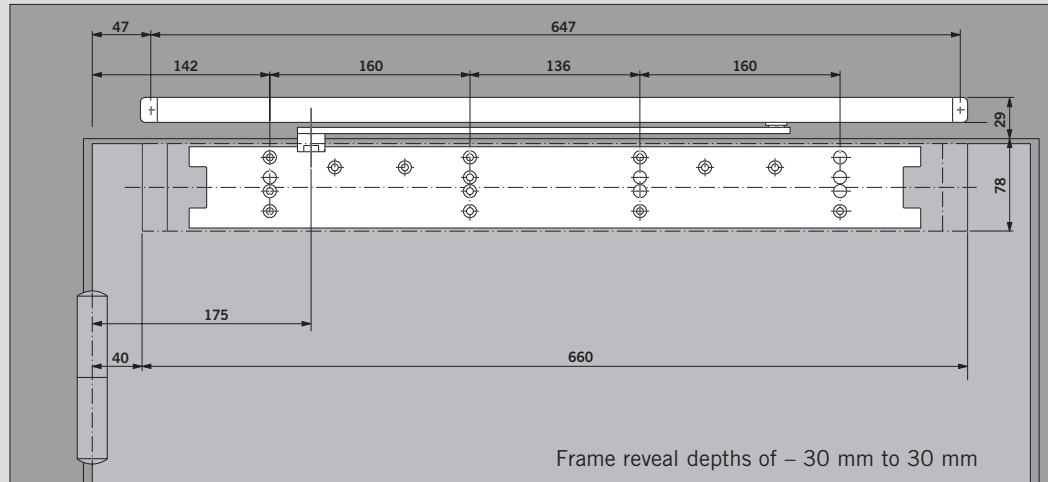
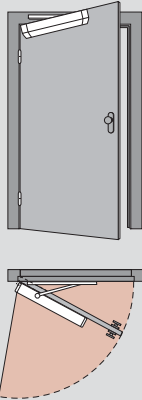


Slide channel arm with additional axle extension 19 / 28 mm



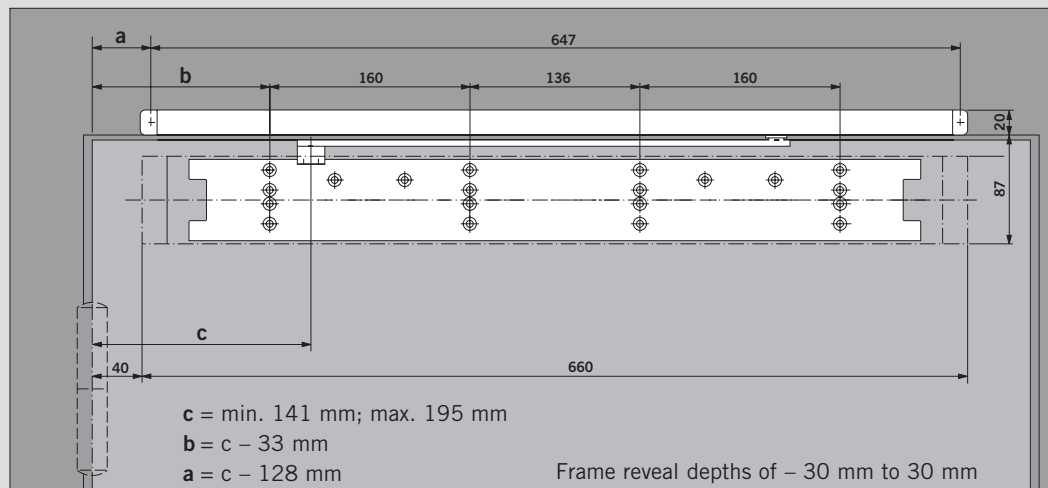
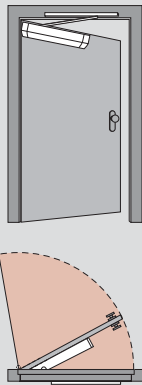
Door leaf fixing on the hinge (pull) side (with slide channel)

LH (ISO 6) and RH (ISO 5) door
 (Example:
 LH (ISO 6) door)



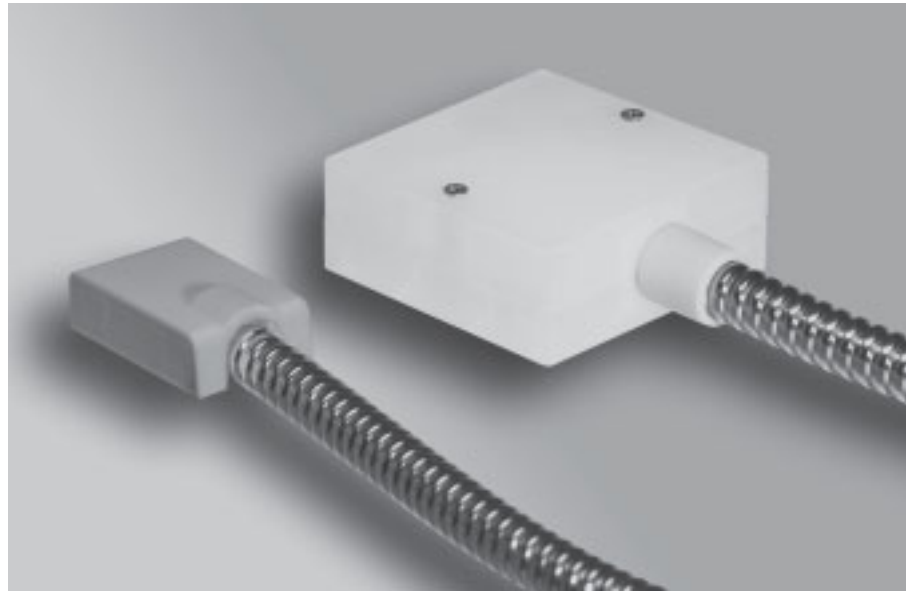
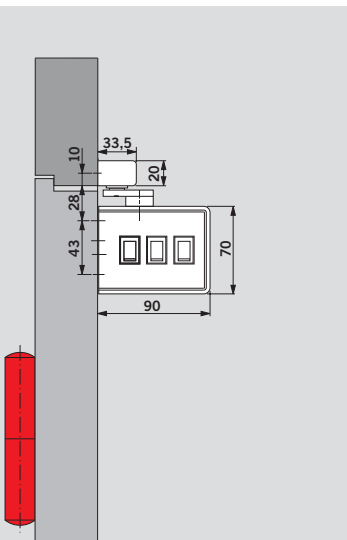
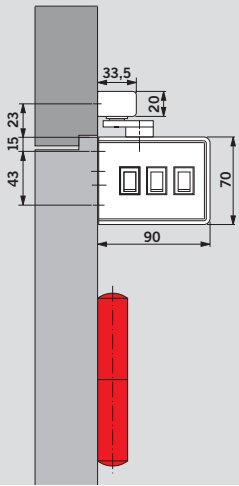
Top jamb fixing on the opposite hinge (push) side (with slide channel)

LH (ISO 6) and RH (ISO 5) door
 (Example:
 RH (ISO 5) door)



Cable loop KÜ-CD

To assist in the installation of the cabling necessary for the door leaf fixing options, DORMA is also able to offer a special cable loop KÜ-CD for the CD 80 operator. This also enhances the visual elegance of the overall solution.



Cable loop KÜ-CD, inner diameter 12 mm



Cable loop KÜ-CD, inner diameter 20 mm

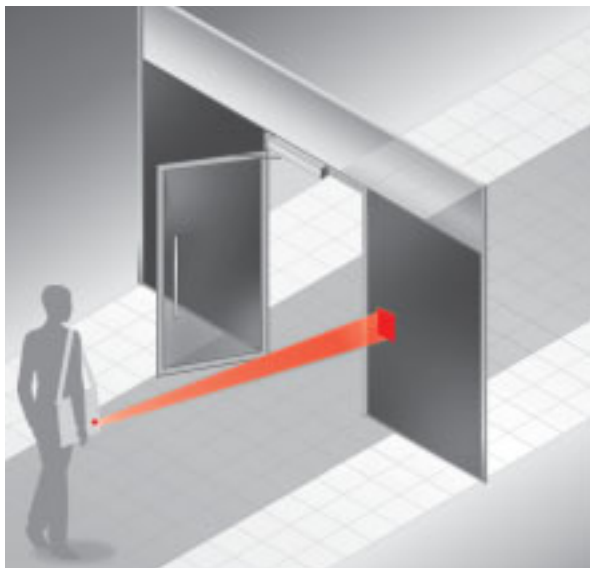
Infrared safety sensors DORMA IRS-2



DORMA IRS-2 infrared safety sensors for safeguarding the sweep range of the door. Standard lengths 330, 700, 900 and 1200 mm.

- Technical system of the DORMA IRS-2 safety sensor
- Background filtering function
- Sensor width setting from 1500 mm to 2500 mm
- Operating temperature from -20 °C to +60 °C

DORMA AutoSwitch



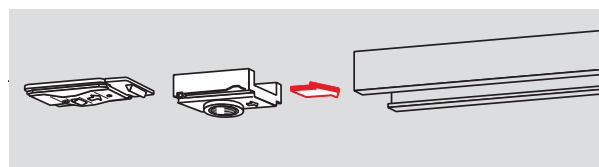
The DORMA AutoSwitch system enables automatic doors to be activated on a hands-free basis. The control unit detects the presence of the AutoSwitch transponder-key from a distance of up to 3 m and emits a signal to activate the operator. The system also offers an access control capability where entry is limited to transponder holders only.

Components of the AutoSwitch hands-free door activating and access control system:
Control unit mounted close to the door, standard transponder-key for door activation and programming-transponder-key.

Ratched type hold-open

The hold-open unit enables doors to be held at a specific angle even when the power is switched off. It can be mechanically activated and deactivated as required and

the pull-off force can be adjusted to suit each individual door situation.

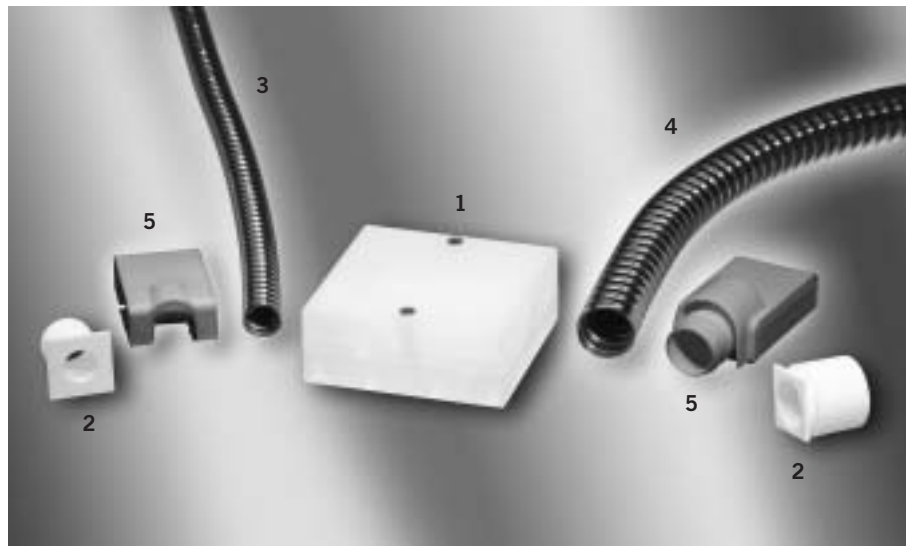


Cable loop KÜ-CD

The DORMA KÜ-CD cable loop offers the ideal solution for the door leaf fixing options of the CD operator. The combination of

- Junction box (1)
- Junction box accessories (2)
- Cable loop (inner diameter 12 mm) (3)
- Cable loop (inner diameter 20 mm) (4)
- Adapter-unit (5)

enables elegant concealment of all the requisite cabling connecting the operator to the supply.



System accessories



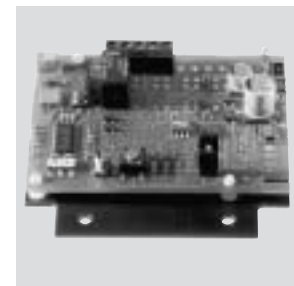
"Merkur" radar motion detector



Electronic program switch EPS-D for swing door operators



Wireless transmitter RC-T HandHeld



Wireless receiver RC-R



Large-area pushbutton, surface or flush mounted, with or without "Tür auf" wording (also available as radio remote control surface-mounted variant)



System 55



Specification texts

Full automatic electrohydraulic swing door operator CD 80, compliant with the most recent versions of guidelines for powered doors, windows and gates, German code BGR 232 (former ZH 1/494), Accident prevention regulations, EMC directive (CE symbol), VDE regulations. Forces adjustable according to prEN 12650/DIN V 18650. Quality-assured manufacture to ISO 9000.

Door parameters:

- Door width: from 700 mm to 1200 mm (depending on door weight)
- Door leaf weight: up to 150 kg (depending on door width)
- Lintel depths: from -30 mm to 30 mm with slide channel system, from 30 mm to 200 mm with standard arm
- Opening angle: at least 100° possible for all installations
- Opening time adjustable 3 s to 6 s
- Closing time adjustable 3 s to 10 s (analog door closer)
- Hold-open time adjustable 0 s to 30 s
- Door closer function under cut-out conditions
- Closing force similar EN 4 in accordance with EN 1154
- Operator dimensions (height x depth x width/length)
70 mm x 90 mm x 660 mm
- Functions programs: OFF – AUTOMATIC – PERMANENT OPEN
- Standard special functions: Push & Go – Power Assist – Extended hold open function
- Power supply data: 230 V AC, 50/60 Hz
- Power supply for external accessories: 24 V DC, 0,6 A
- Installation on the hinge/pull side and opposite hinge/push side, door leaf and lintel
- Power transmission using slide channel system and standard arm

Operator colour Standard: () Silver () RAL 9016
Special colours: () RAL required:

Way of installation

- Hinge/pull side
Lintel: () Operator type G
Door leaf: () Operator type B
- Opposite hinge/push side
Lintel: () Operator type B
Door leaf: () Operator type G
- additionally () Standard arm
(slide channel system in series)

Program switch (standard integrated program switch, 3-positions)

- additionally [] external program switch

Activator

- [] Pushbutton nos.
[] Radar movement detector nos.

Safety (Safety sensors to safeguard the door sweep in accordance with BGR 232)

- Safety sensors for usage on hinge/pull side and opposite hinge/push side
() Length 330 mm nos.
() Length 700 mm nos.
() Length 900 mm nos.
() Length 1200 mm nos.

Emergency pushbutton fitted close to the door in accordance with DIN VDE

- Variant () concealed mounting
() surface mounting

Services

- [] Installation
[] Commissioning
[] Maintenance contract

Automatic Division worldwide

DORMA GmbH + Co. KG
Breckerfelder Str. 42-48
D-58256 Ennepetal
Phone +49 23 33/793-0
Fax +49 23 33/793-495

Region Australia

AUS, NZ
 Australia
 DORMA BWN Automatics Pty. Ltd.
 Phone +61 3 97964111
 www.dorma.com.au
 New Zealand
 DORMA BWN Automatics Pty. Ltd.
 Phone +61 3 97964111
 www.dorma.com.au

Region Central Europe

D, NL, B, LX, CH
 Germany
 Automatic D
 Phone +49 2333 793-0
 www.dorma.de
 Netherlands
 DORMA van Duin Nederland BV
 Phone +31 344 640640
 www.dorma.be/en
 Belgium
 DORMA Foquin N.V./S.A.
 Phone +32 50 451570
 www.dorma.be/en

Luxembourg
 Luxembourg Subsidiary Automatic
 Phone +49 2333 793-216
 www.dorma.de

Switzerland
 DORMA Türautomatik AG
 Phone +41 71 8864646
 www.dorma.ch

Region Emerging Markets

P, RUS, UA, BG, GR, TR, IND, IL, RSA
 Poland
 DORMA Polska Sp. z o.o.
 Phone +48 22 8238809
 www.dorma.pl
 Russia
 Representative Office in Russia
 Phone +7 095 2581225
 www.dorma.com

Ukraine
 DORMA Representation Ukraine
 Phone +380 44 2443897
 www.dorma.com

Bulgaria
 ALU KÖNIG STAHL EOOD
 Phone +359 2 9807889
 www.dorma.com

Greece
 DORMA Representation Greece
 Phone: +30 21 09944388
 www.dorma.com

Turkey
 DORMA Kapi Kontrolleri Ltd. Sti
 Phone: +90 216 3600056
 www.dorma.com

India
 DORMA Door Controls India
 Phone +91 442 8585097
 www.dorma.com

Israel
 DORMA GmbH + Co. KG
 Phone +49 2333 793-0
 www.dorma.com

South Afrika
 DORMA Door Controls (Pty.) Ltd
 Phone +27 11 8300280
 www.dorma.com

Region Far East

SGP, HK, VRC, RC, MAL, RI, RP,
 ROK, VN, J
 Singapore
 DORMA Emerald Entrance Systems
 Pte Ltd
 Phone +65 459 5733
 www.dorma.com.sg

Hong Kong
 DORMA Door Controls Pte. Ltd.
 Phone +852 25034632
 www.dorma.com.sg

China
 DORMA Door Controls (Suzhou)
 Co. Ltd.
 Phone +86 512 676 12481
 www.dorma.com.sg

Taiwan
 DORMA Door Controls Pte. Ltd.
 Phone +886 2 9182987
 www.dorma.com.sg

Malaysia
 DORMA Emerald Entrance Systems
 Pte Ltd
 Phone +65 459 5733
 www.dorma.com.sg

Indonesia
 DORMA Emerald Entrance Systems
 Pte Ltd
 Phone +65 459 5733
 www.dorma.com.sg

South Korea
 DORMA Emerald Entrance Systems
 Pte Ltd
 Phone +65 459 5733
 www.dorma.com.sg

Philippines
 DORMA Door Controls Pte. Ltd.
 Phone +632 893 40778
 www.dorma.com.sg

Vietnam
 DORMA Emerald Entrance Systems
 Pte Ltd
 Phone +65 459 5733
 www.dorma.com.sg

Japan
 DORMA Emerald Entrance Systems
 Pte Ltd
 Phone +65 459 5733
 www.dorma.com.sg

Region France

F
 France
 DORMA Accueil S. A. S.
 Phone +33 4 79348924
 www.dorma.fr

Region Gulf

Saudi Arabia, Bahrain, Kuwait,
 Egypt, Syria, Jordan, Lebanon, Iran
 DORMA ARABIA
 Automatic Doors Ltd.
 Kingdom of Saudi Arabia
 Phone +966 3 847 2394
 www.dorma.com

United Arab Emirates, Oman, Qatar
 DORMA Middle East LLC
 Dubai
 Phone +971 4 282 4424
 www.dorma.com

Region North America

USA, CDN, MEX
 USA
 DORMA Automatics Inc.
 Phone +1 301 390-3600
 www.dorma-usa.com

Canada
 DORMA Door Controls
 Phone +1 905 6701281
 www.dorma.com

Mexico
 DORMA México, S. de R.L. de C.V.
 Phone +52 55 5272 6937
 www.dorma.com

Region Scanbalt

N, S, DK, FIN, LV, EST, LT

Norway
 DORMA Norge AS
 Phone +47 23 176800
 www.dorma.no

Sweden
 DORMA Sverige AB
 Phone +46 31 289520
 www.dorma.se

Denmark
 DORMA Danmark A/S
 Phone +45 44 943077
 www.dorma.com

Finland
 DORMA Finland Oy
 Phone +358 9 8789130
 www.dorma.fi

Latvia
 DORMA Finland Oy
 Phone +358 9 8789130
 www.dorma.fi

Estonia
 DORMA Representation Estonia
 Phone +372 6707064
 www.dorma.com

Lithuania
 DORMA Norge AS
 Phone +47 23 176800
 www.dorma.com

Region South America

BR, RA
 Brazil
 DORMA Sistemas de Controles
 Phone +55 11 41913244
 www.dorma.com.br

Argentina
 DORMA Sistemas de
 Controles para Portas Ltda
 Phone +54 11 45051032
 www.dorma.com

Region South-East Europe

A, H, CZ, CS, HR, SLO, RO
 Austria
 DORMA AKS Automatic GmbH
 Phone +43 6225 8636-0
 www.dorma.at

Hungary
 DORMA AKS Automatic GmbH
 Phone +36 1 2065127 or 2058058
 www.dorma.com

Czech Republic
 DORMA dverní technika CR, s.r.o.
 Phone +420 2 671321-78 or -79
 www.dorma.com

Slovakia
 DORMA Slovensko spol. s.r.o.
 Phone +421 2 50221 283
 www.dorma.com

Croatia
 DORMA Representation Croatia
 Phone +385 1 2305040
 www.dorma.com

Slovenia
 DORMA Representation Slovenia
 Phone +386 2 5 30 20 10
 www.dorma.com

Romania
 DORMA Representation Romania
 Phone +40 2 13 30 05 68
 www.dorma.com

Region South Europe

I, E, P
 Italy
 DORMA Italiana S.r.l.
 Phone: +30 039 244031
 www.dorma.it

Spain
 DORMA Ibérica, S.A.
 Phone +34 91 8757851
 www.dorma.es

Portugal
 DORMA Portugal para Portas, Lda.
 Phone +351 252 860 490
 www.dorma.com

Region UK/Ireland

GB, IRL
 Great Britain
 DORMA UK Limited
 Phone +44 1462 477600
 www.dorma-uk.co.uk

Ireland
 DORMA Ireland Limited
 Phone +353 1 295 8280
 www.dorma.com

www.dorma.com

Door Control

Automatic

Glass
 Fittings and
 Accessories

Security/
 Time and
 Access (STA)

Movable
 Walls