



# **BTS 80 F**

## **- EMB**

## **- FLB**

**Floor springs**

## Floor springs designed especially for fire and smoke doors. Wide range of functions, quality assured.

CERTIFIRE approved for use on certain fire doors: See certificate no. 128 (BTS 80 F and EMB). Complies with requirements of HTM 59 (DOH). PSA approved (MOB H3 03).

Certified to ISO 9001.



CERTIFIRE  
Cert. no. 128

### Plus points

#### For the trade

- Complete range for every application.
- Simple stock holding thanks to identical accessories being used throughout the DORMA BTS range.

#### For the installer

- Easy to install.
- Interchangeable spindle inserts, available to suit site conditions.
- For doors up to 300 kg in weight.

#### For the architect/specifier

- Concealed installation.
- Range of functions to suit all applications.

- Proven, robust unit – for doors weighing up to 300 kg.
- All models tested and quality assured, and approved by the Institute for Building Technology, Berlin. For CERTIFIRE approvals see certificate no. 128 (BTS 80 F, EMB).

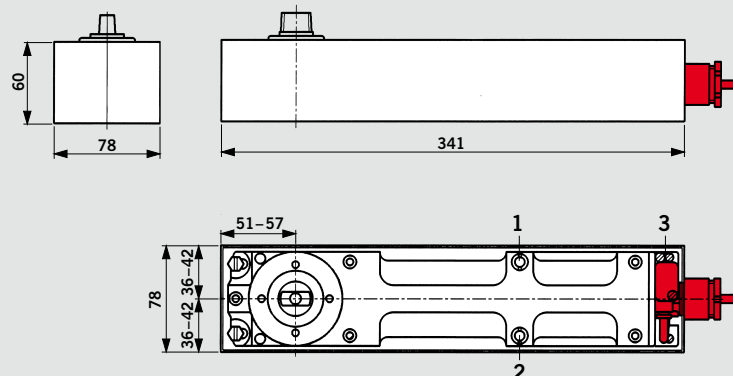
#### For the user

- Reliable and fail safe.
- Closing speed unaffected by changes in temperature.
- Easy door operation thanks to high mechanical efficiency.

Technical data		BTS 80 F			BTS 80 EMB			BTS 80 FLB		
Closing force	Size	EN 4	EN 5	EN 6	EN 4	EN 5	EN 6	EN 4	EN 5	EN 6
Standard doors up to	1100 mm	●	–	–	●	–	–	●	–	–
	1250 mm	–	●	–	–	●	–	–	●	–
	1400 mm	–	–	●	–	–	●	–	–	●
Fire and smoke check doors up to	1100 mm	●	–	–	●	–	–	●	–	–
	1250 mm	–	●	–	–	●	–	–	●	–
	1400 mm	–	–	●	–	–	●	–	–	●
Handed model	LH	●	●	●	●	●	●	●	●	●
	RH	●	●	●	●	●	●	●	●	●
	Universal	●	●	●	●	●	●	–	–	–
Closing speed variable by valve adjustment		●	●	●	●	●	●	●	●	●
Latching action variable by valve adjustment		●	●	●	●	●	●	–	–	–
Backcheck, mechanical		●	●	●	●	●	●	–	–	–
Delayed action		–	–	–	–	–	–	–	–	–
Hold-open, electro-magnetic, Hold-open point selectable between 75 and 180°		–	–	–	●	●	●	–	–	–
Free swing 0–180°		–	–	–	–	–	–	●	●	●
Weight in kg		7.1	7.1	7.1	7.7	7.7	7.7	7.7	7.7	7.7
Dimensions in mm	Length	341	341	341	341	341	341	341	341	341
	Overall depth	78	78	78	78	78	78	78	78	78
	Height	60	60	60	60	60	60	60	60	60
Power input in W		–	–	–	2.3	2.3	2.3	2.3	2.3	2.3
Operating voltage in vDC ± 15 %, residual ripple max. 30 %		–	–	–	24	24	24	24	24	24
Duty factor in % [Rated for continuous service (duty factor 100 %)]		–	–	–	100	100	100	100	100	100
Door closer tested to EN 1154		●	●	●	●	●	●	●	●	●
Hold-open devices tested to EN 1155		–	–	–	●	●	●	●	●	●
CE marking for building products		●	●	●	●	●	●	●	●	●

● Yes – No ○ Option

- 1 Closing speed adjustment valve
- 2 Latching speed adjustment valve (not available with the BTS 80 FLB)
- 3 Plug connector with cable for EMB and FLB power supply



## Accessories

### Applications and fixing instructions, door straps and top centres

See Technical Information "Floor spring accessories".

### Spindle inserts

Interchangeable spindle inserts enable the floor clearance to be increased if required (doors with thresholds, carpeted floors, etc.).

Special spindle designs on application: e.g. flat tapered with 3° offset, square spindles and spindle inserts for non DORMA accessories.

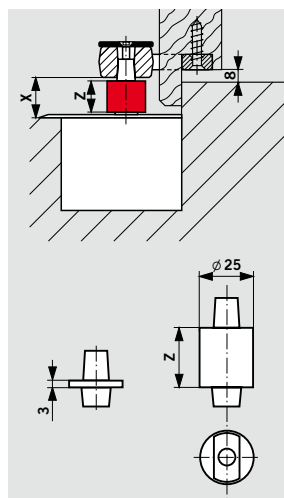
### Extended spindle insert

Calculating the necessary length of spindle extension: Extension = X – Floor clearance (normally 8 mm)

Collar height Z of the extended spindle inserts = Spindle extension length + 3 mm (collar height of the standard spindle insert)

**NOTE:** Closer and bottom strap must be installed per fixing instructions for door

clearances shown to be valid. Closers with extended spindle inserts are used with thresholds, carpeted floors, terrazzo pans or in cases where more clearance between door and floor is required. Surface finish: Zinc plated.

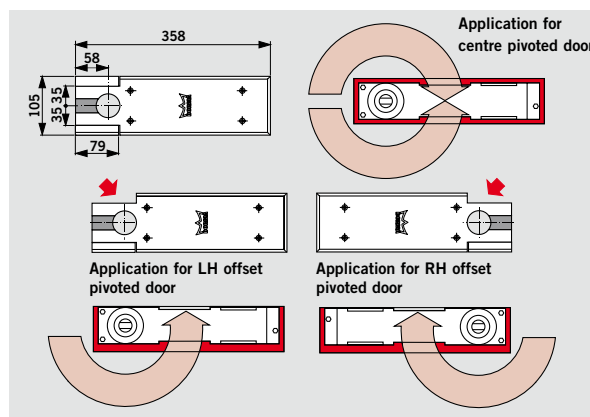


### Universal cover plate

One cover plate, suitable for left hand/right hand 36 mm offset, and centre pivoted doors. Further modification is necessary for use with 5 mm offset accessories. Available in stainless steel or satin brass (thickness of material 1.5 mm). A reinforcing underplate is available for use in areas of especially heavy traffic or trolleys.

### DORMA 2300 Sealing Compound

For filling the cavities between the floor spring body and the cement box to prevent moisture penetration (mandatory according to e.g. VOB regulations for wet rooms).



## Specification text

### DORMA BTS 80 F

CERTIFIRE approved universal floor spring, with hydraulically fully controlled closing from 175°, adjustable latching action and back-check; including cement box CERTIFIRE approved certificate no. 128.

### DORMA BTS 80 EMB

Floor spring with electro-hydraulic hold-open and integral pressure compensation feature for multipoint hold-open between 75° and 175°. With adjustable, hydraulically fully controlled closing speed, adjustable latching action, backcheck; including cement box.

Operating voltage: 24 vDC  
Power input: 2.3 W

### DORMA BTS 80 FLB

Free-swing floor spring with electro-hydraulic free-swing feature between 0° and 180°, closing action (de-energised condition) from 180°, and backcheck (de-energised condition).

Operating voltage: 24 vDC  
Power input: 2.3 W

CERTIFIRE approved certificate no. 128. Officially approved by the Institute for Building Technology, Berlin, for use in hold-open systems. Acceptance test required in Germany.

Acceptance test required in Germany.

### Size

- EN 4
- EN 5
- EN 6

### Model

- LH (ISO 6)
- RH (ISO 5)
- Universal

### Size

- EN 4
- EN 5
- EN 6

### Model

- LH (ISO 6)
- RH (ISO 5)
- Universal
- Special design with integral circuit for door co-ordinator with electro-magnetic retention
  - LH
  - RH

### Size

- EN 4
- EN 5
- EN 6

### Model

- LH (ISO 6)
- RH (ISO 5)

### Accessories

- Universal cover plate, 1.5 mm thick
  - stainless steel
  - satin brass
  - reinforcing underplate
- Spindle insert, . . . mm extension
- Sealing compound

**Make:** DORMA BTS 80 F

### Accessories

- Universal cover plate, 1.5 mm thick
  - stainless steel
  - satin brass
  - reinforcing underplate
- Spindle insert, . . . mm extension
- Sealing compound

**Make:** DORMA BTS 80 EMB

### Accessories

- Universal cover plate, 1.5 mm thick
  - stainless steel
  - satin brass
  - reinforcing underplate
- Spindle insert, . . . mm extension
- Sealing compound

**Make:** DORMA BTS 80 FLB

**Scope of supply and accessories**

Floor spring <b>BTS 80 F</b>	With cement box, without spindle insert	Spindle inserts <sup>1)</sup>	Universal cover plate		Sealing compound 2300, 0.5 kg 45090059
			Stainless steel 46700000	Satin Brass 56700100	
<b>Size EN 4</b>					
LH	80220101	#	#	#	#
RH	80220201	#	#	#	#
Universal	80220001	#	#	#	#
<b>Size EN 5</b>					
LH	80210101	#	#	#	#
RH	80210201	#	#	#	#
Universal	80210001	#	#	#	#
<b>Size EN 6</b>					
LH	80230101	#	#	#	#
RH	80230201	#	#	#	#
Universal	80230001	#	#	#	#

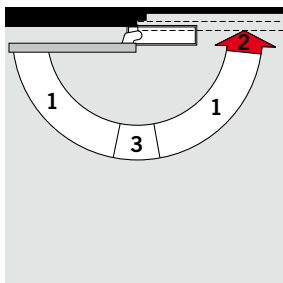
Floor spring <b>BTS 80 EMB</b>	With cement box, without spindle insert, 3.5 m cable	Spindle inserts <sup>1)</sup>	Universal cover plate		Sealing compound 2300, 0.5 kg 45090059
			Stainless steel 46700000	Satin Brass 56700100	
<b>Size EN 4</b>					
LH	82224101	#	#	#	#
RH	82224201	#	#	#	#
Universal	82224001	#	#	#	#
<b>Size EN 5</b>					
LH	82214101	#	#	#	#
RH	82214201	#	#	#	#
Universal	82214001	#	#	#	#
<b>Size EN 6</b>					
LH	82234101	#	#	#	#
RH	82234201	#	#	#	#
Universal	82234001	#	#	#	#

Floor spring <b>BTS 80 FLB</b> for free-swing action	With cement box, without spindle insert, 3.5 m cable	Spindle inserts <sup>1)</sup>	Universal cover plate		Sealing compound 2300, 0.5 kg 45090059
			Stainless steel 46700000	Satin Brass 56700100	
<b>Size EN 4</b>					
LH	82124101	#	#	#	#
RH	82124201	#	#	#	#
<b>Size EN 5</b>					
LH	82114101	#	#	#	#
RH	82114201	#	#	#	#
<b>Size EN 6</b>					
LH	82134101	#	#	#	#
RH	82134201	#	#	#	#

# = Accessory <sup>1)</sup> See technical information leaflet "Floor spring accessories"

### DORMA BTS 80 F

CERTIFIRE approved cert. no. 128



- 1 Fully controlled closing with adjustable speed
- 2 Adjustable latching action
- 3 Mechanical backcheck

Example shows LH door; mirrored arrangement applies to RH door.

#### Fire door applications

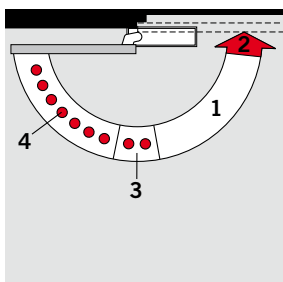
Please see the CERTIFIRE Register of Approved Products for full details of fire door types with which this floor spring may be used.

#### Approval and certification

The DORMA BTS 80 F has been approved, and is subject to third-party verification, by the State Material Testing Agency (MPA) of North Rhine Westphalia/Dortmund, Germany. PSA approved (MOB H3 03) HTM 59 (DOH).

### DORMA BTS 80 EMB

Floor spring with electromagnetic hold-open  
CERTIFIRE approved cert. no. 128



- 1 Fully controlled closing with adjustable speed
- 2 Adjustable latching action
- 3 Mechanical backcheck
- 4 Hold-open range (fall back approx. 3°)

Example shows LH door; mirrored arrangement applies to RH door.

#### Fire door applications

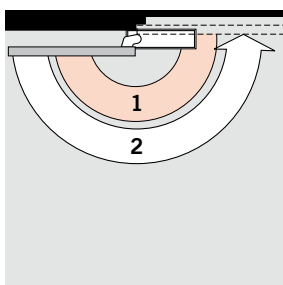
Please see the CERTIFIRE Register of Approved Products for full details of fire door types with which this floor spring may be used.

#### Approval certification

The DORMA BTS 80 EMB has been approved by the Institute for Building Technology, Berlin, for use in combination with all common smoke detector systems, e.g. DORMA BTS 80 EMB with DORMA RMZ 2: approval certificate Z-6.5-1310. PSA approved (MOB H3 03) HTM 59 (DOH).

### DORMA BTS 80 FLB

Floor spring with free-swing feature (electro-hydraulically controlled spring detent)



- 1 Free-swing range
- 2 Fully controlled closing in the event of an alarm or interruption of the power supply

Example shows LH door; mirrored arrangement applies to RH door.

#### Fire door applications

The DORMA BTS 80 FLB is designed to remove all spring pressure, whilst the door is available for manual opening and closing. When the current supply is interrupted, e.g. fire alarm, the floor spring resumes its self-closing function.

#### Approval certification

The DORMA BTS 80 FLB has been approved by the Institute for Building Technology, Berlin, for use in combination with all common smoke detector systems, e.g. DORMA BTS 80 EMB with DORMA RMZ 2: approval certificate Z-6.5-1310.



**Door Control**



**Automatic**



**Glass Fittings  
and Accessories**



**Security/Time  
and Access (STA)**



**Movable Walls**

**Door Control Division worldwide**

**Central Europe**

DORMA GmbH + Co. KG  
DORMA Platz 1  
D-58256 Ennepetal  
Tel. +49 2333 793-0  
Fax +49 2333 793-495

**Australasia**

DORMA Door Controls Pty. Ltd.  
46-52, Abbott Road  
Hallam/Victoria 3803  
Australia  
Tel. +61 3979 63555  
Fax +61 3979 63955

**China/Hong Kong**

DORMA Door Controls  
(Suzhou) Co. Ltd.  
No. 9, Hong Feng Road  
Suzhou Singapore Industrial Park  
Suzhou, 215021  
P.R. of China  
Tel. +86 512 67612481  
Fax +86 512 67614582

DORMA Door Controls Pte. Ltd.  
Room 701, Technology Plaza  
651 King's Road  
North Point  
Hong Kong  
Tel. +852 25034632  
Fax +852 28875370

**Emerging Markets**

DORMA GmbH + Co. KG  
DORMA Platz 1  
D-58256 Ennepetal  
Tel. +49 2333 793-0  
Fax +49 2333 793-495

DORMA Door Controls (Pty.) Ltd.  
Kings Court  
4A Mineral Crescent  
ZA-2000 Crown/Gauteng  
South Africa  
Tel. +27 11 8300280  
Fax +27 11 8300291

**Far East**

DORMA Far East Pte. Ltd.  
No. 31 Gul Lane  
Singapore 629425  
Tel. +65 6268 7633  
Fax +65 6265 7995

**France**

DORMA France S.A.S.  
Europarc  
42, rue Eugène Dupuis  
F-94046 Créteil  
Tel. +33 1 41942400  
Fax +33 1 41942401

**Gulf**

DORMA Gulf Door Controls FZE  
Jebel Ali Free Zone South  
Plot No. S 20135  
Road No. SW 301 G  
P.O. Box 17268  
Dubai – United Arab Emirates  
Tel. +971 4 8020400  
Fax +971 4 8869100/8869101

**North America**

DORMA Architectural Hardware  
DORMA Drive, Drawer AC  
Reamstown, PA 17567-0411  
Tel. +1 800 5238483  
Fax +1 800 2749724

**Scanbalt**

DORMA Sverige AB  
F O Petersons Gata 24  
SE-421 31 Västra Frölunda  
Tel. +46 31 289520  
Fax +46 31 281739

**South America**

DORMA Sistemas de Controles  
para Portas Ltda.  
Av. Piracema, 1400  
Centro Empresarial Tambore  
CEP 06400-933 Barueri/  
São Paulo, Brasil  
Tel. +55 11 46899280  
Fax +55 11 46899215

**South-East Europe**

DORMA AUSTRIA GmbH  
Pebering Strass 22  
A-5301 Eugendorf  
Tel. +43 6225 284880  
Fax +43 6225 28491

**South Europe**

DORMA Italiana S.r.l.  
Via. Canova 44/46  
I-20035 Lissone (MI)  
Tel. +39 039 244031  
Fax +39 039 24403310

DORMA Ibérica, S.A.  
Camino San Martin de la Vega, 4  
E-28500 Arganda del Rey  
(Madrid)  
Tel. +34 91 8757850  
Fax +34 91 8757881

**UK/Ireland**

DORMA UK Ltd.  
Wilbury Way  
Hitchin  
GB-Hertfordshire SG4 0AB  
Great Britain  
Tel. +44 1462 477600  
Fax +44 1462 477601